

AndonWIRELESS / Andon product

Connection Set 115-230VAC BK KS71/72



Part No.: 860.640.09



MECHANICAL DATA

Housing colour	Black
Protection category	IP20
Working temperature minimum	0°C
Working temperature maximum	+40°C
Weight with packaging	398 g
Product weight	330 g

ELECTRICAL DATA

Operating voltage	115-230V
Operating voltage type	AC
Rated operational current	1 mA
Protection class	Protection class 2
Pollution degree	2
Isolation voltage	Ui = 250V; Uimp = 2.500V

APPROVAL DATA

Conforms with CE	Yes
WEEE	Yes
Conforms with ATEX-directive	No
Conforms with CCC	No
Conforms with UL	No
Conforms with FCC	No
Conforms with IC	No
EAC certificate available	Yes
Conforms with UKCA (Importer)	Yes (WERMA (UK) Ltd.)
Conforms with AS-I	No
Conforms with DNV	No
Conforms with RoHS CN	No
Conforms with VdS	No

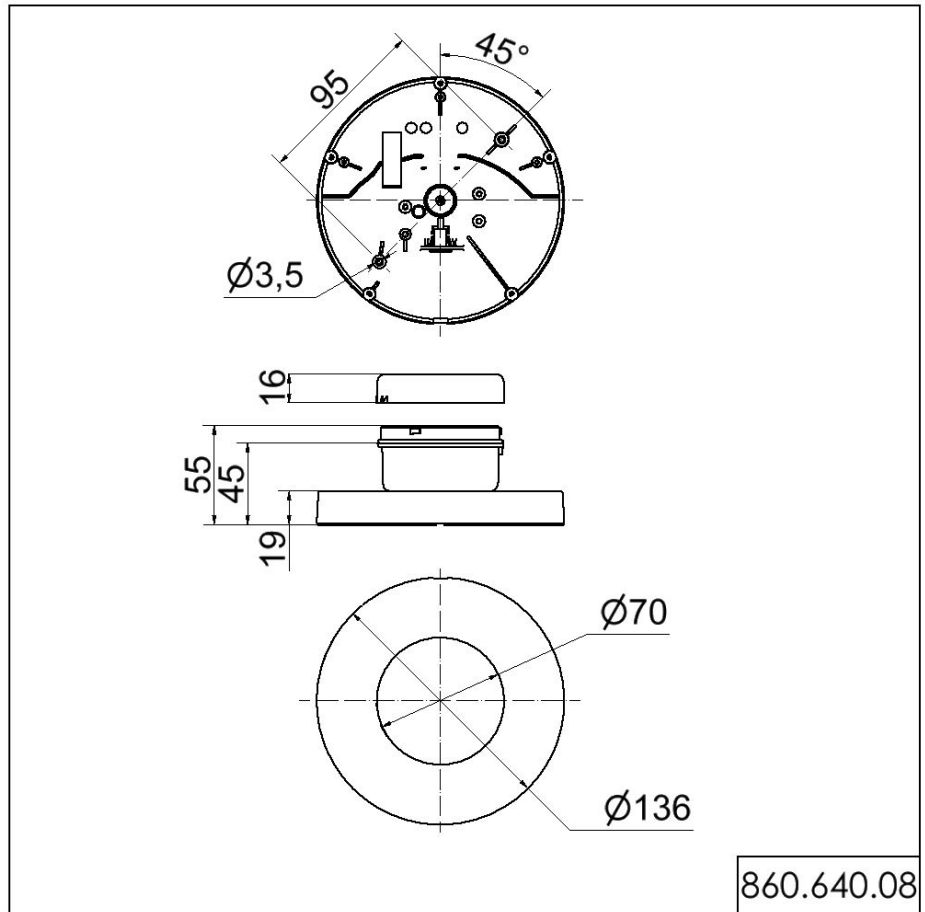


For additional installation and mounting information, refer to the appropriate user guide at www.werma.com. This printed copy is for information only and is subject to alteration.

AndonWIRELESS / Andon product

Connection Set 115-230VAC BK KS71/72

DRAWING



For additional installation and mounting information, refer to the appropriate user guide at www.werma.com. This printed copy is for information only and is subject to alteration.